

MUG

Jasmine

Eighteen-light chandelier



Spec sheet

JS-18

Jasmine

Eighteen-light chandelier

GLASS FINISH Champagne
Steel gray
Light gray
Blue shaded
Pink shaded
Champagne shaded
Green shaded

STRUCTURE FINISH Pewter
Bronze

MATERIALS:

INNER DIFFUSER Borosilicate glass

OUTER DIFFUSER Mouth-blown glass

STEM Aluminum

STRUCTURE Steel

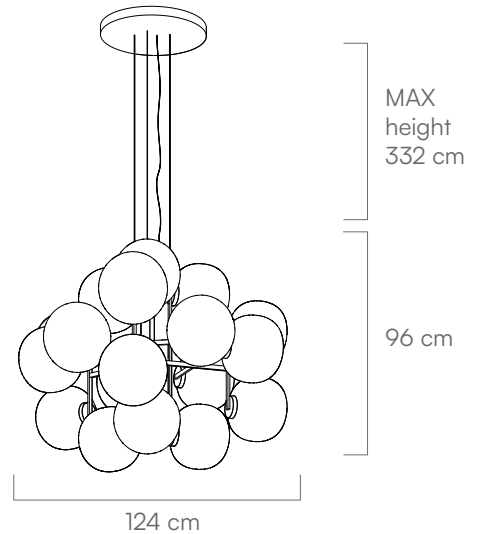
LIGHT SOURCE INTEGRATED LED MODULE 90W 24V
3000°K 13104lm CRI 90+

VOLTAGE 220 - 240V 50Hz
120V 60Hz

DRIVER ON-OFF
Dimmer on request

ENVIRONMENT Indoor

CERTIFICATION CE UL WIRED  IP20



Product nomenclature of standard variation (custom solutions are available on request)

JS		O1		P		P		CH		D		E		I	
Family		# lights		Model		Body color		Glass color		Control		Input		CCT	
JS	Jasmine	01	1x	P	Pendant	PW	Pewter	CH	Champagne	D	DALI	E	24V/230V 50Hz	1	3000°K
		03	3x			BZ	Bronze	SG	Steel gray	1	On/off	U	24V/120V 60Hz	2	2.700°K
		06	6x			SI	Silver	LG	Light gray	0	0-10V	F	230V 50Hz		
		10	10x					BS	Blue shaded	T	Triac	G	120V 60Hz		
		12	12x					PS	Pink shaded	C	Casambi				
		18	18x					CS	Champagne shaded	P	Phase-cut dim				